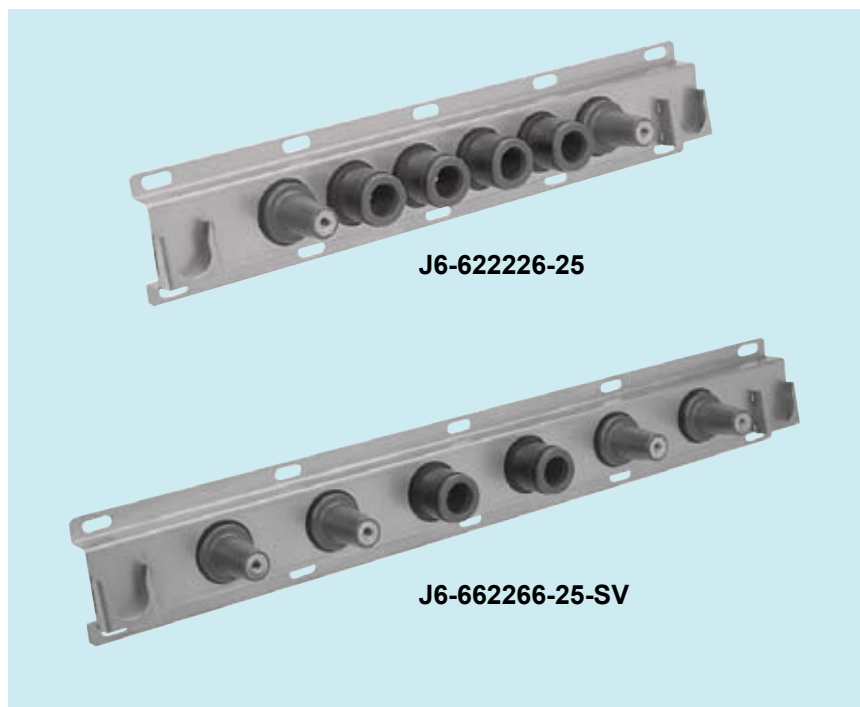


Elastimold multi-point junctions are available in 2, 3, 4, 5 or 6 point configurations with 15, 25 or 35kV ratings. Units feature modular design flexibility, allowing selection of any combination of 200 Amp deepwell or 600 Amp bushing interfaces located on standard 4" or optional 6 1/2" centers. The 6-1/2" center spacing is especially well suited for Distributed Switchgear applications including fused elbow, MVI fault interrupter, MVS switch, etc.

Designs incorporate lightweight, damage resistant, EPDM molded rubber construction and corrosion resistant 304 stainless steel mounting brackets. Junctions are maintenance-free, fully shielded, deadfront and submersible. Units are ideally suited for subsurface, padmount, indoor and outdoor vault applications.

Elastimold multi-point junctions provide a convenient method for connecting, looping and tapping of 200 and 600 Amp elbows and other accessories at a common location where utilization of space, cable training, flexibility and operability are important.



RATINGS OVERVIEW

See page 2 for complete information

CURRENT RATINGS

600 Amp Continuous
25kA sym., 10 cycles
or with 200 Amp Bushing Well versions

200 Amp Continuous
10kA sym., 10 cycles

VOLTAGE RATINGS

15kV Class

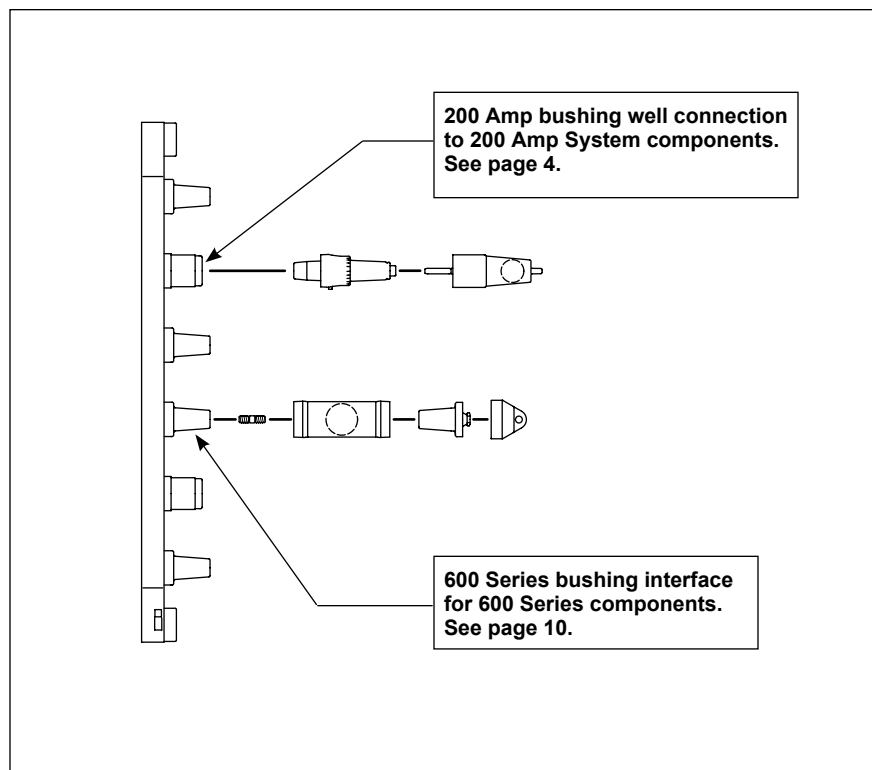
8.3kV Phase-to-Ground
95kV BIL
34kV AC Withstand
53kV DC Withstand
11kV Corona Extinction

25kV Class

16.2kV Phase-to-Ground
140kV BIL
45kV AC Withstand
84kV DC Withstand
21.5kV Corona Extinction

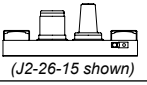
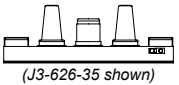
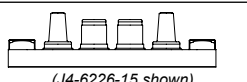
35kV Class

21.1kV Phase-to-Ground
150kV BIL
50kV AC Withstand
103kV DC Withstand
26kV Corona Extinction



The Elastimold multi-point junctions feature modular design flexibility that permits the specifier to determine the positions of the bushing interfaces and bushing well positions.

Base Catalog Numbers

Illustration (not to scale)	Description	Voltage Class	ELASTIMOLD Part Number		Notes
			4" Spacing		
 (J2-26-15 shown)	2-point Junction	15kV 25kV 35kV	J2 - ____ - 15 J2 - ____ - 25 J2 - ____ - 35		N1, 2
 (J3-626-35 shown)	3-point Junction	15kV 25kV 35kV	J3 - ____ - 15 J3 - ____ - 25 J3 - ____ - 35		N1, 2
 (J4-6226-15 shown)	4-point Junction	15kV 25kV 35kV	J4 - ____ - 15 J4 - ____ - 25 J4 - ____ - 35		N1, 2

Molded Multi-Point Junctions

ORDERING INFORMATION

To specify and order Elastimold Multi-Point Junctions:

- Use Table 1 to construct a catalog number describing the required junction.

Table 1. Catalog Number Construction

J

Multi-Point Junction

□

-

□ □ □ □ □ □

-

□ □

-

□ □

-

□ □ □

Number of Points		Interface Identification * and Positioning		Voltage Class		Interface Spacing		Options	
2	2 Points	2	200 Amp Deepwell Interface	15	15kV	Blank	Standard spacing – 4" centers	Blank	No tilt mounting bracket
3	3 Points	6	600 Amp Bushing Interface	25	25kV	SV	Optional 6-1/2" centers	TMA	Tilt Mounting Adapter. Bolts to the bottom of the standard mounting bracket to provide 15, 30, 45 or 60 degree adjustable angle mounting. (Two Tilt Mounting Adapters are required for each installation.)
4	4 Points	B	Blank Position	35	35kV				
5	5 Points								
6	6 Points								

* When there is a 200 Amp Interface on one side of the junction and a 600 Series Interface on the other side, always start with the 200 Amp side.

Ordering Example A

To order a 4-point, 15kV junction with 4" spacings and 600 series interfaces on the outside ways and 200 Amp wells on the inside ways specify: Catalog Number J4-6226-15.

Ordering Example B

To order a 6-point, 25kV junction with 6-1/2" spacings and 600 series interfaces on the ways 1, 3, 4, 6 and 200 Amp wells on the ways 2 and 5 specify: Catalog Number J6-626626-25-SV.

N1. The 6-1/2" wide spacing is necessary if the junction is to be used to connect with a single phase MVS Molded Vacuum Switch or MVI Molded Vacuum Interrupter.

N2. Also available with a shorter bracket without parking stands, consult factory.