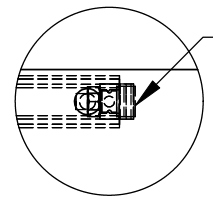
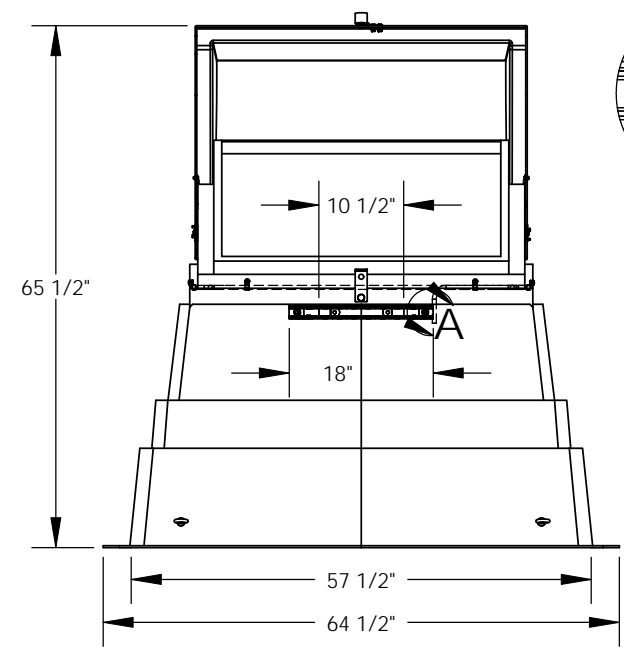
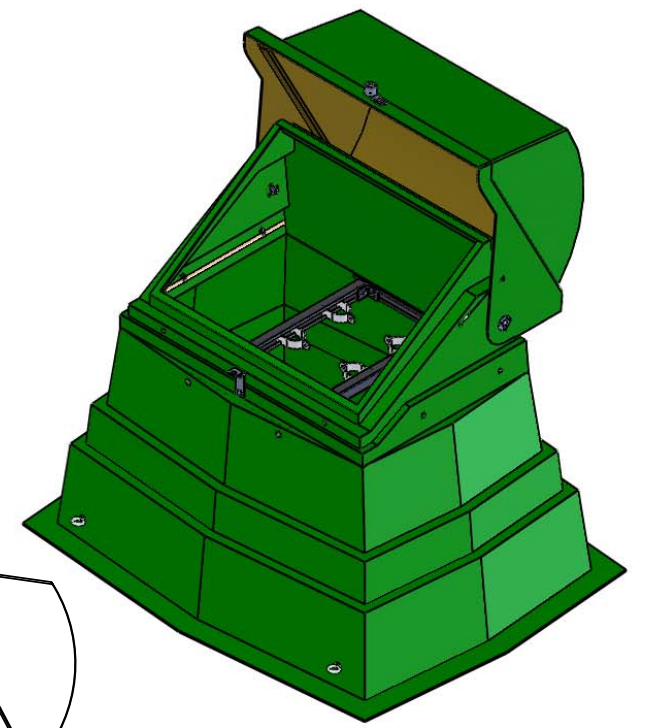
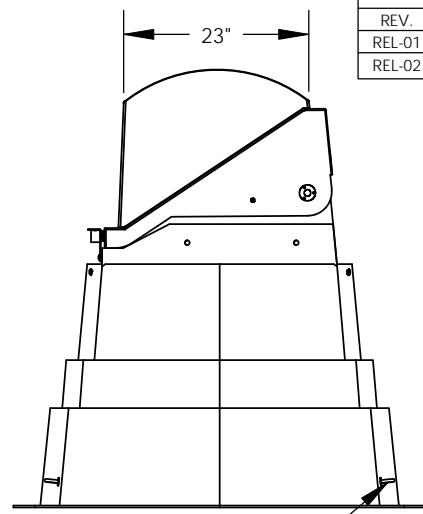
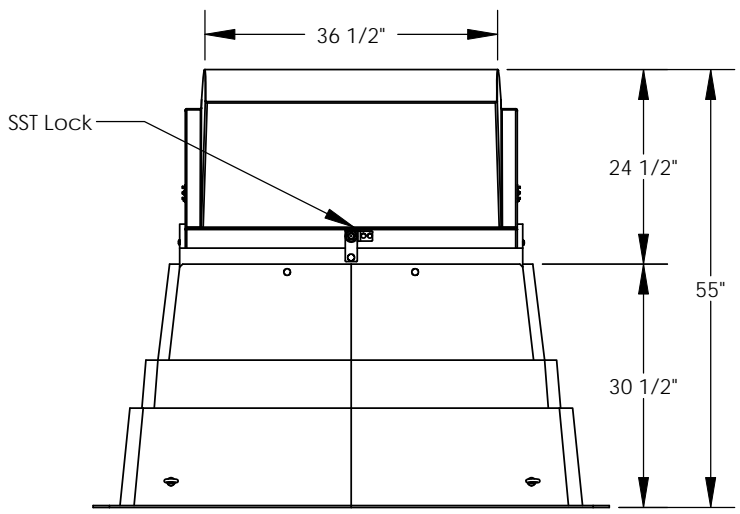
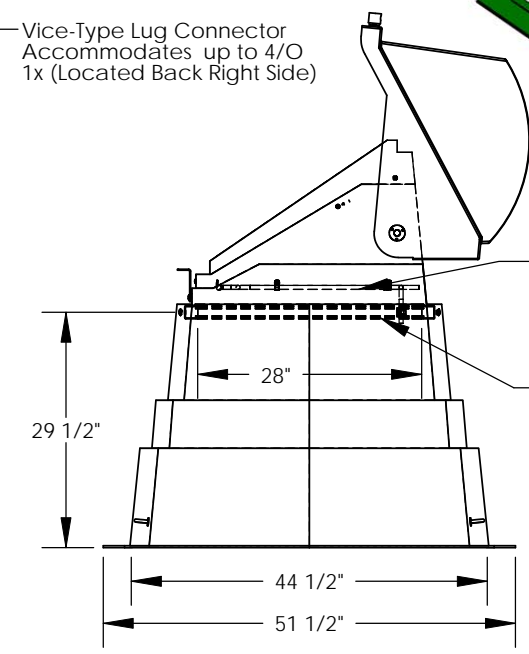


REVISIONS			
REV.	DESCRIPTION	DATE	APPROVED
REL-01		4/30/2008	
REL-02	Added 4/O Ground System, Updated Cabinet Name	7/8/2008	R.L.J.



DETAIL A
SCALE 1 : 6



REL-02
4/O Bare Copper Strand Ground Wire
Pierced Strut Channel 2x

NOTE:
Includes (6) Clamps to Attach Cables to Strut Bracket

Nordic Fiberglass, Inc.

21415 US Hwy 75 NW, Warren, MN 56762
www.nordicfiberglass.com
218-745-5095 ph. --- 218-745-4990 fax

ND-362454-MG-TBS-X-W1E

PROPRIETARY AND CONFIDENTIAL
THE INFORMATION CONTAINED IN THIS DRAWING IS THE SOLE PROPERTY OF NORDIC FIBERGLASS, INC. ANY REPRODUCTION IN PART OR AS A WHOLE WITHOUT THE WRITTEN PERMISSION OF NORDIC FIBERGLASS, INC. IS PROHIBITED.

Customer Name: N/A		
DIMENSIONS ARE IN INCHES		
TOLERANCES: ANGLES ± 1°		
FRACTIONAL ± 1/32		
ONE PLACE DECIMAL ±.060		
TWO PLACE DECIMAL ±.030		
THREE PLACE DECIMAL ±.015		
MATERIAL		
DRAWN	R.L.J.	DATE 04/30/08
CHECKED	---	---/---/---

SIZE	ITEM ID:	REV.
A	04000.25	REL-02
SCALE:1:24		SHEET 1 OF 1