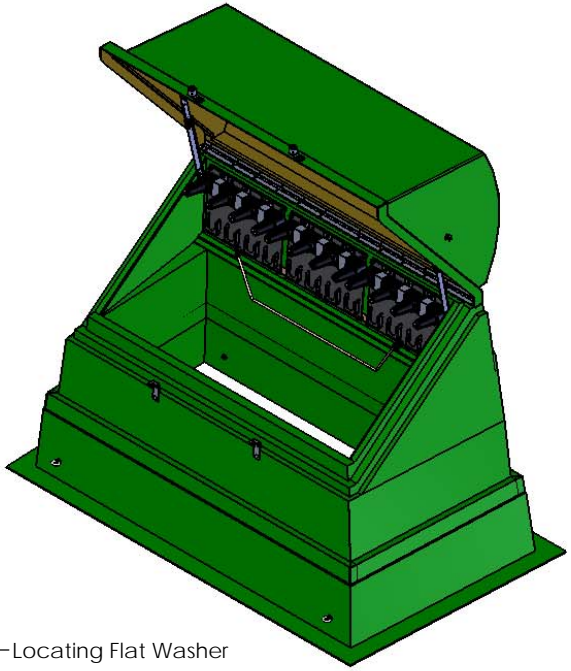
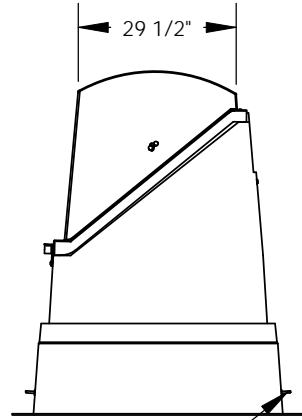
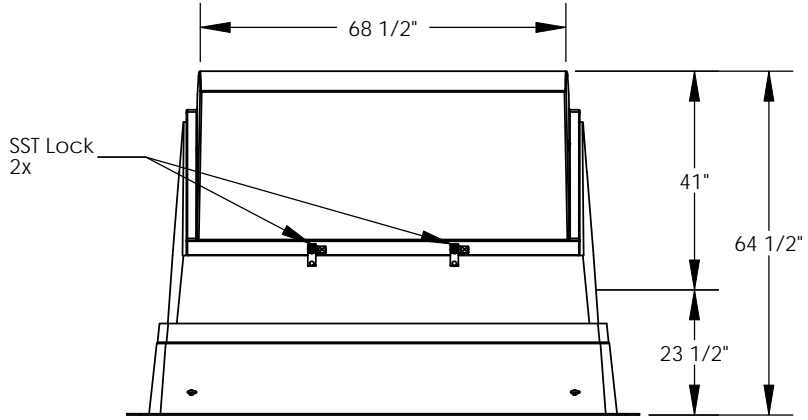
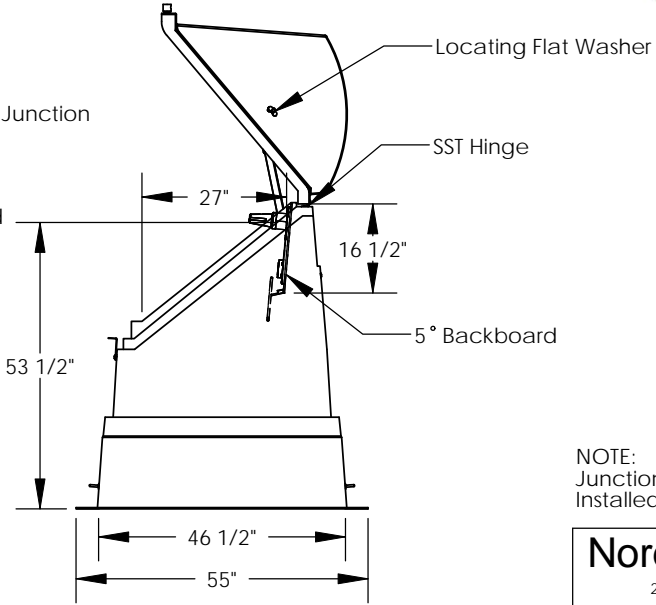
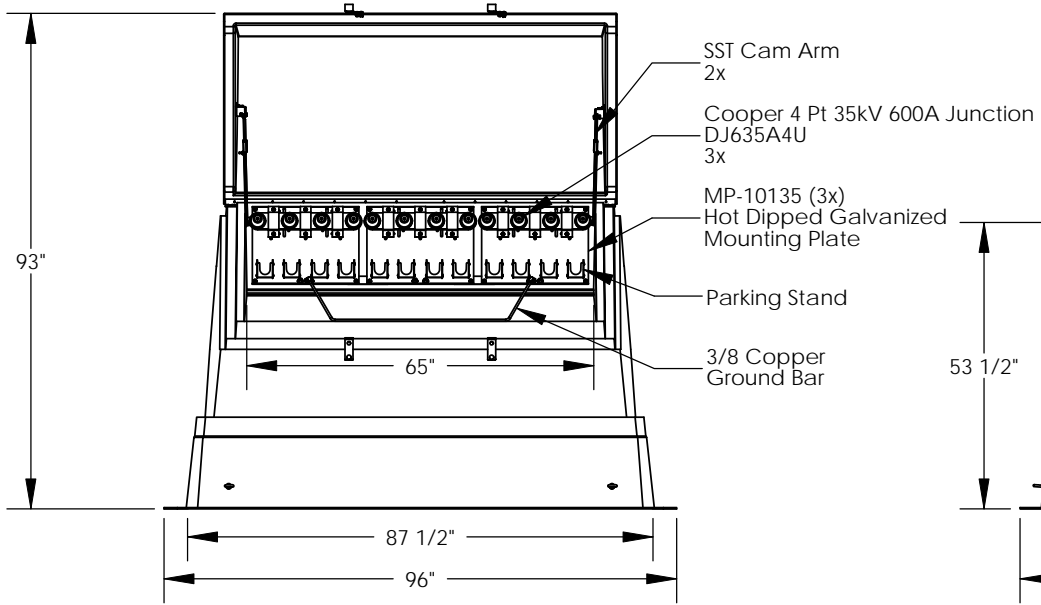


| REVISIONS | | | |
|-----------|-------------|------|----------|
| REV. | DESCRIPTION | DATE | APPROVED |



ZN Coated Eyebolt
4x



NOTE:
Junctions Supplied by Customer
Installed by Nordic

Nordic Fiberglass, Inc.
21415 US Hwy 75 NW, Warren, MN 56762
www.nordicfiberglass.com
218-745-5095 ph. --- 218-745-4990 fax

| | | | |
|---------------------------|----------|--------------|--------|
| ND-450-MG-10135-43566-B3B | | REV. | REL-01 |
| SIZE | ITEM ID: | SCALE:1:36 | |
| A | 02991.10 | SHEET 1 OF 1 | |

| | | |
|---------------------------|--------|----------|
| Customer Name: N/A | | |
| DIMENSIONS ARE IN INCHES | | |
| TOLERANCES: ANGLES ± 1° | | |
| FRACTIONAL ± 1/32 | | |
| ONE PLACE DECIMAL ±.060 | | |
| TWO PLACE DECIMAL ±.030 | | |
| THREE PLACE DECIMAL ±.015 | | |
| MATERIAL | NAME | DATE |
| DRAWN | P.J.W. | 01/14/08 |
| CHECKED | --- | --/-- |

PROPRIETARY AND CONFIDENTIAL
THE INFORMATION CONTAINED IN THIS DRAWING IS THE SOLE PROPERTY OF NORDIC FIBERGLASS, INC. ANY REPRODUCTION IN PART OR AS A WHOLE WITHOUT THE WRITTEN PERMISSION OF NORDIC FIBERGLASS, INC. IS PROHIBITED.