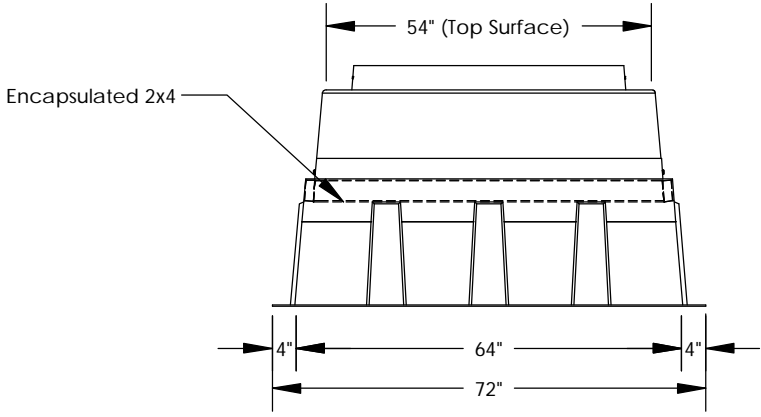
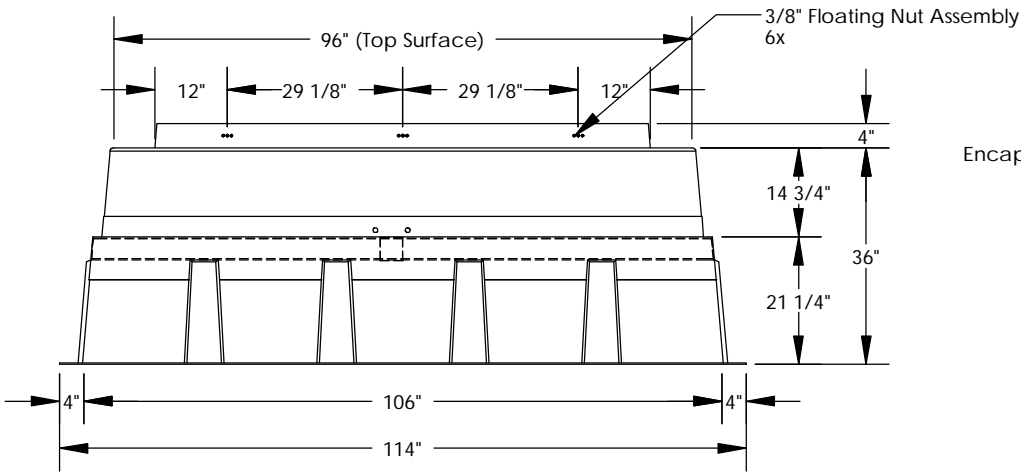
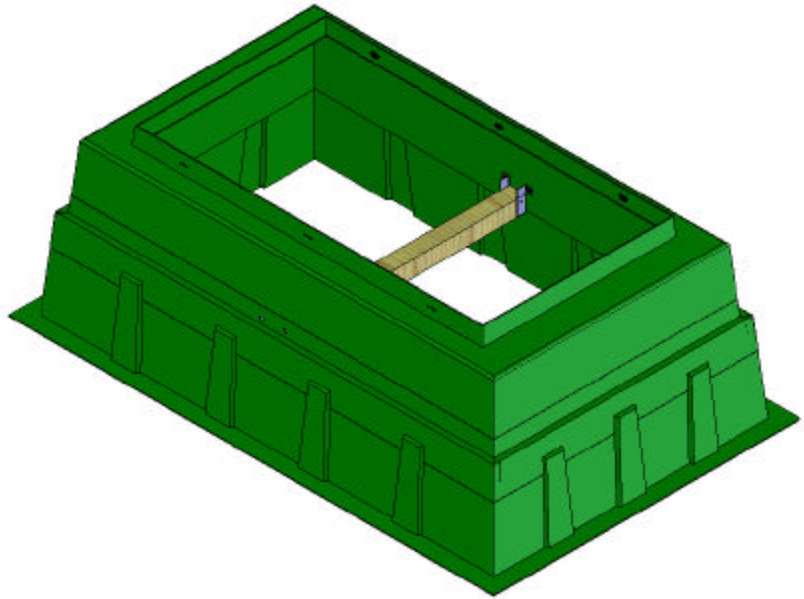
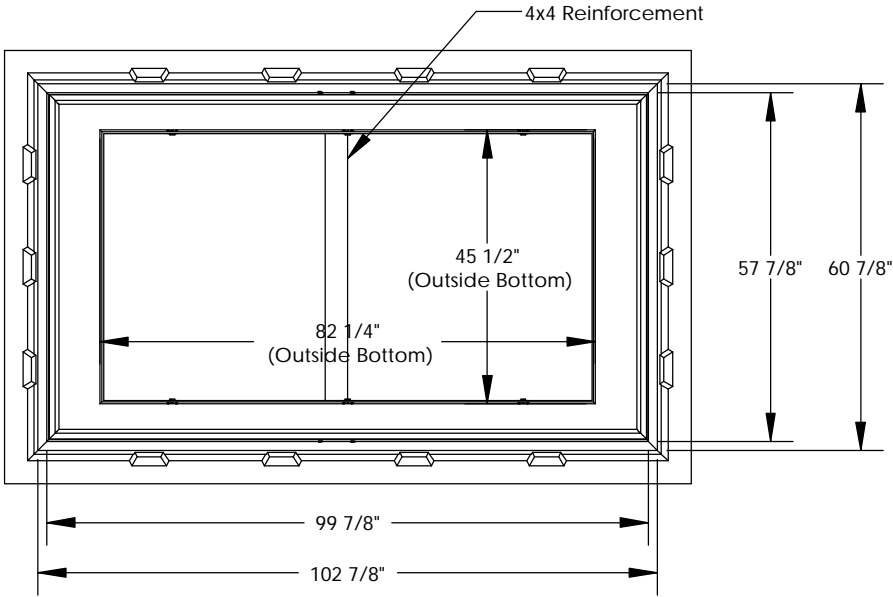


REVISIONS			
REV.	DESCRIPTION	DATE	APPROVED
REL-01		6/28/2006	
REL-02	Added 4x4 Reinforcement	12/8/2006	



Includes:
 6 - 3/8"-16x1-1/2" SS HH Bolts
 6 - 3/8" Flat Washers

Nordic Fiberglass, Inc.
 21415 US Hwy 75 NW, Warren, MN 56762
 www.nordicfiberglass.com
 218-745-5095 ph. --- 218-745-4990 fax

PROPRIETARY AND CONFIDENTIAL
 THE INFORMATION CONTAINED IN THIS DRAWING IS THE SOLE PROPERTY OF NORDIC FIBERGLASS, INC. ANY REPRODUCTION IN PART OR AS A WHOLE WITHOUT THE WRITTEN PERMISSION OF NORDIC FIBERGLASS, INC. IS PROHIBITED.

Customer Name: N/A			ND-450-MG-36EXT	
DIMENSIONS ARE IN INCHES TOLERANCES: ANGLES ± 1° FRACTIONAL ± 1/2 ONE PLACE DECIMAL ± .060 TWO PLACE DECIMAL ± .030 THREE PLACE DECIMAL ± .015			SIZE A	ITEM ID: 02995.97
MATERIAL	NAME	DATE	SCALE: 1:4	REV. REL-02
DRAWN	R.L.J.	03/27/06		SHEET 1 OF 1
CHECKED	---	--/--		