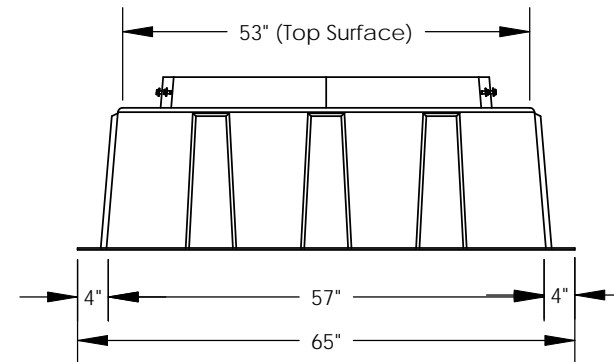
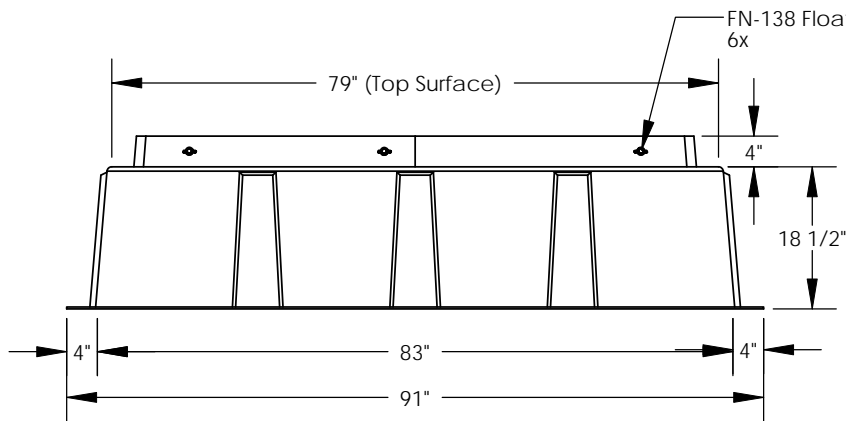
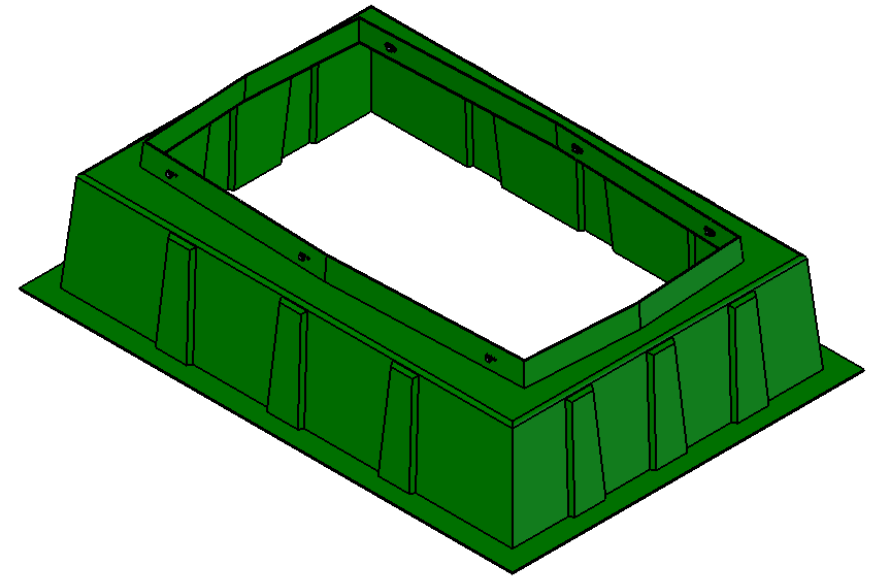
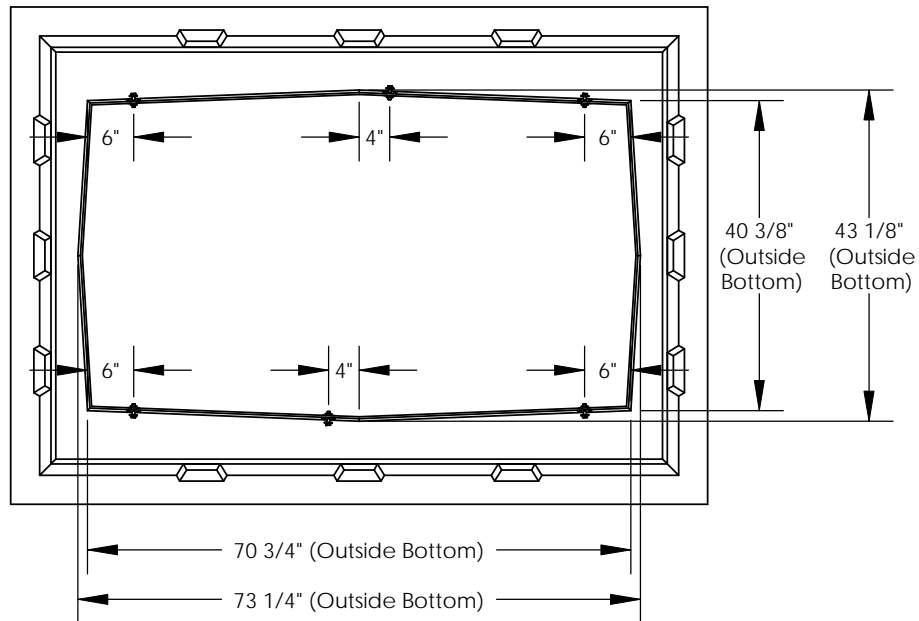


REVISIONS			
REV.	DESCRIPTION	DATE	APPROVED
REL-01		10/31/2006	



Includes:
 6 - 3/8"-16x1-1/2" SS HH Bolts
 6 - 3/8" Flat Washers

PROPRIETARY AND CONFIDENTIAL
 THE INFORMATION CONTAINED IN THIS DRAWING IS THE SOLE PROPERTY OF NORDIC FIBERGLASS, INC. ANY REPRODUCTION IN PART OR AS A WHOLE WITHOUT THE WRITTEN PERMISSION OF NORDIC FIBERGLASS, INC. IS PROHIBITED.

Customer Name: N/A		
DIMENSIONS ARE IN INCHES		
TOLERANCES: ANGLES ± 1°		
FRACTIONAL ± 1/32		
ONE PLACE DECIMAL ±.060		
TWO PLACE DECIMAL ±.030		
THREE PLACE DECIMAL ±.015		
MATERIAL		
DRAWN	NAME	DATE
	R.L.J.	08/03/06
CHECKED		--/--

Nordic Fiberglass, Inc.		
21415 US Hwy 75 NW, Warren, MN 56762 www.nordicfiberglass.com 218-745-5095 ph. --- 218-745-4990 fax		
ND-552454-MG-18EXT		
SIZE	ITEM ID:	REV.
A	04010.93	REL-01
SCALE:1:24		SHEET 1 OF 1